

**Fixture:** Flush Mount Tracer Loop Layout

---

**Drawing By:**

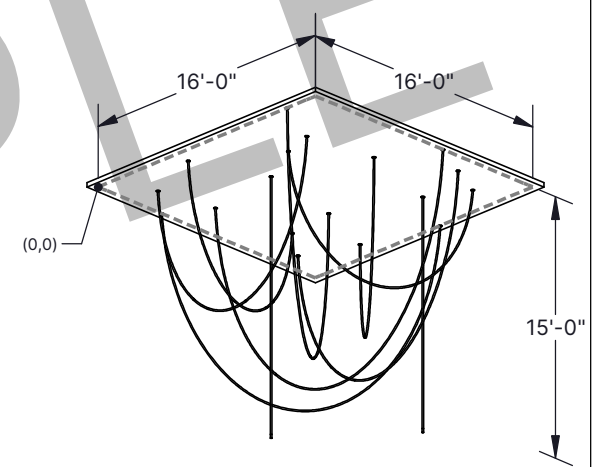
---

**Revision By:**

---

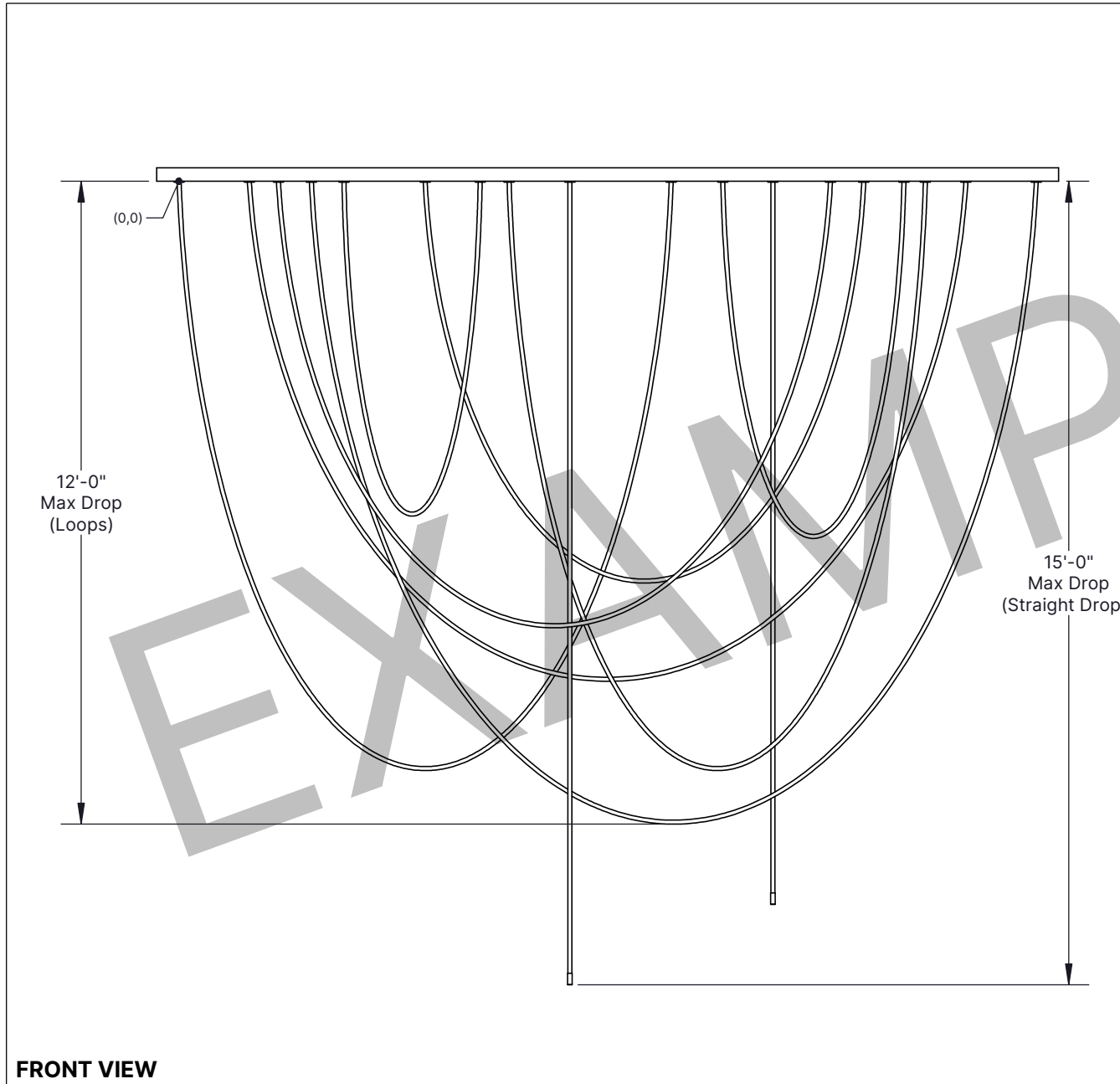
**Revision:**

**THIS IS A LOW VOLTAGE (24VDC) FIXTURE.**  
Do not wire this fixture directly to line voltage!  
**24VDC Class 2 Transformer(s) REQUIRED.**



Rope	Lit Length	Wattage	Lumens
1	360 in	93 W @ 24VDC	3600 lm
2	344 in	89 W @ 24VDC	3440 lm
3	334 in	86 W @ 24VDC	3340 lm
4	301 in	78 W @ 24VDC	3010 lm
5	255 in	66 W @ 24VDC	2550 lm
6	225 in	58 W @ 24VDC	2250 lm
7	214 in	55 W @ 24VDC	2140 lm
8	242 in	63 W @ 24VDC	2420 lm
9	178 in	46 W @ 24VDC	1780 lm
10	160 in	41 W @ 24VDC	1600 lm

**OVERVIEW**



**FRONT VIEW**

**Fixture:** Flush Mount Tracer Loop Layout

---


**Drawing By:**

---

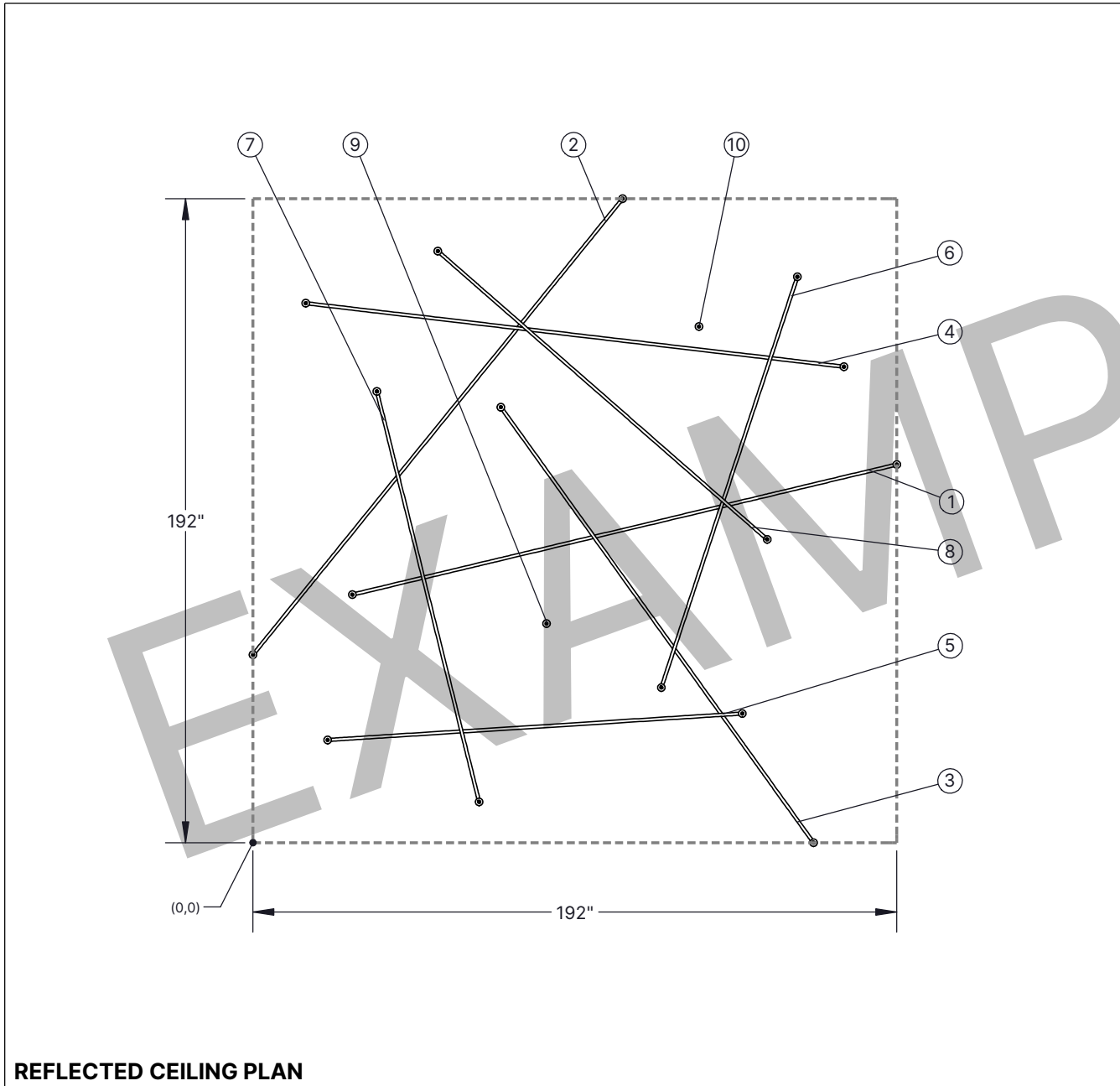
**Revision By:**

---

**Revision:**

 **THIS IS A LOW VOLTAGE (24VDC) FIXTURE.**  
Do not wire this fixture directly to line voltage!  
**24VDC Class 2 Transformer(s) REQUIRED.**

Rope	Lit Length	Wattage	Lumens
1	360 in	93 W @ 24VDC	3600 lm
2	344 in	89 W @ 24VDC	3440 lm
3	334 in	86 W @ 24VDC	3340 lm
4	301 in	78 W @ 24VDC	3010 lm
5	255 in	66 W @ 24VDC	2550 lm
6	225 in	58 W @ 24VDC	2250 lm
7	214 in	55 W @ 24VDC	2140 lm
8	242 in	63 W @ 24VDC	2420 lm
9	178 in	46 W @ 24VDC	1780 lm
10	160 in	41 W @ 24VDC	1600 lm



**REFLECTED CEILING PLAN**

**Fixture:** Flush Mount Tracer Loop Layout

**Drawing By:**

**Revision By:**

**Revision:**

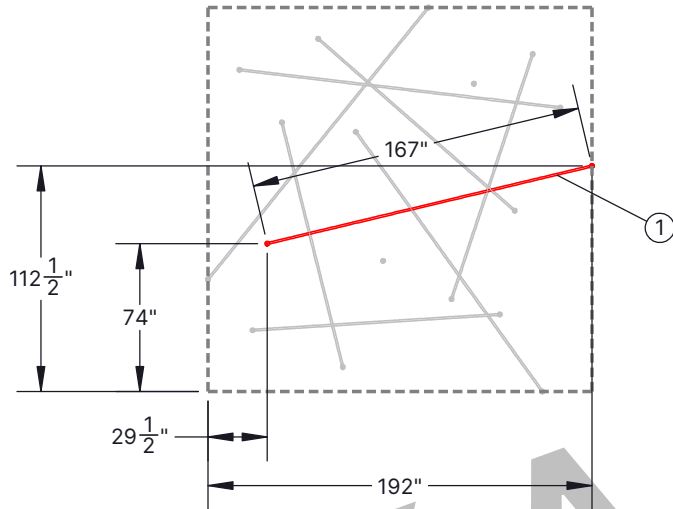
**⚠ THIS IS A LOW VOLTAGE (24VDC) FIXTURE.**  
Do not wire this fixture directly to line voltage!  
**24VDC Class 2 Transformer(s) REQUIRED.**

- Power and Mounting Requirements:**
- Loops 1, 2, 3, 4, 5, 6, 7, and 8 required to have power running to remotely mounted 96W 24VDC transformers on one end only.
  - Straight drops 9 and 10 required to have power running to remotely mounted 96W 24VDC transformers at mounting location.
  - Flush Mount hardware is not compatible with junction boxes. Hardware is designed and UL listed to mount directly to hollow ceilings (or walls).
  - Overall layout dimensions are rounded to the nearest inch, and mounting dimensions to the nearest half inch. Actual lengths and drops may vary +/- 2 inches from what is shown.
  - Dimensions are given between elements of the Luke Lamp Co. layout, unless otherwise noted. Placement of fixture in the room to be determined on-site.

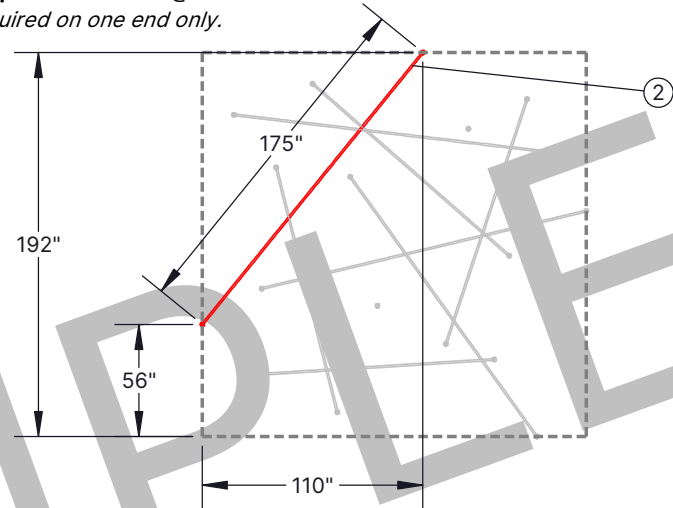
**CLIENT INITIALS:** \_\_\_\_\_

Rope	Lit Length	Wattage	Lumens
1	360 in	93 W @ 24VDC	3600 lm
2	344 in	89 W @ 24VDC	3440 lm
3	334 in	86 W @ 24VDC	3340 lm
4	301 in	78 W @ 24VDC	3010 lm
5	255 in	66 W @ 24VDC	2550 lm
6	225 in	58 W @ 24VDC	2250 lm
7	214 in	55 W @ 24VDC	2140 lm
8	242 in	63 W @ 24VDC	2420 lm
9	178 in	46 W @ 24VDC	1780 lm
10	160 in	41 W @ 24VDC	1600 lm

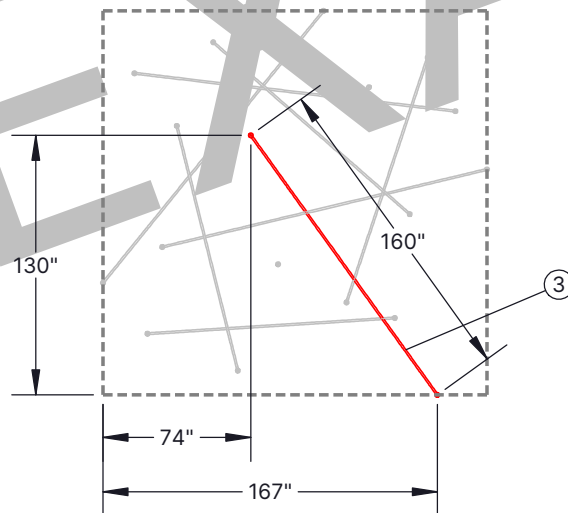
**Rope Length:** 360 in (Rope 1)  
**Power Requirement:** 93 W @ 24VDC  
*Power required on one end only.*



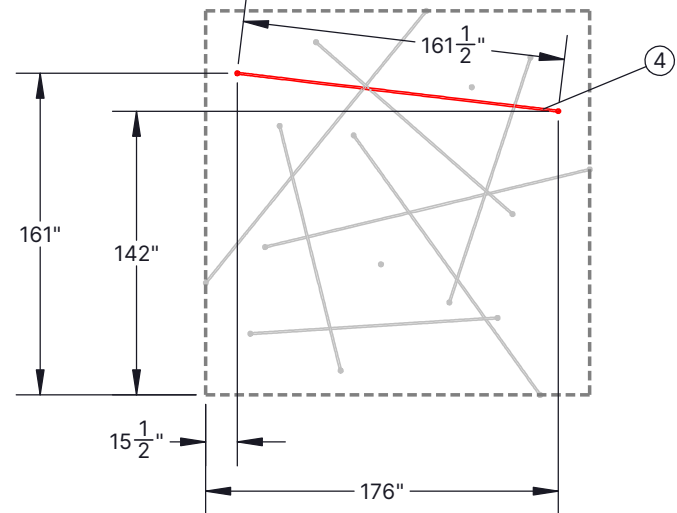
**Rope Length:** 344 in (Rope 2)  
**Power Requirement:** 89 W @ 24VDC  
*Power required on one end only.*



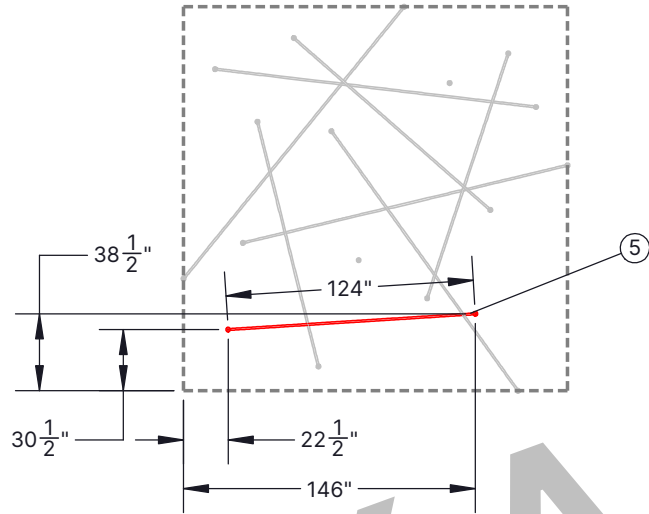
**Rope Length:** 334 in (Rope 3)  
**Power Requirement:** 86 W @ 24VDC  
*Power required on one end only.*



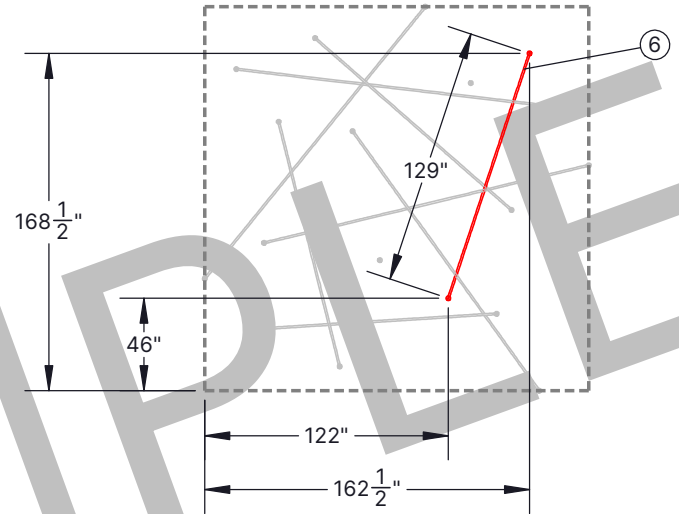
**Rope Length:** 301 in (Rope 4)  
**Power Requirement:** 78 W @ 24VDC  
*Power required on one end only.*



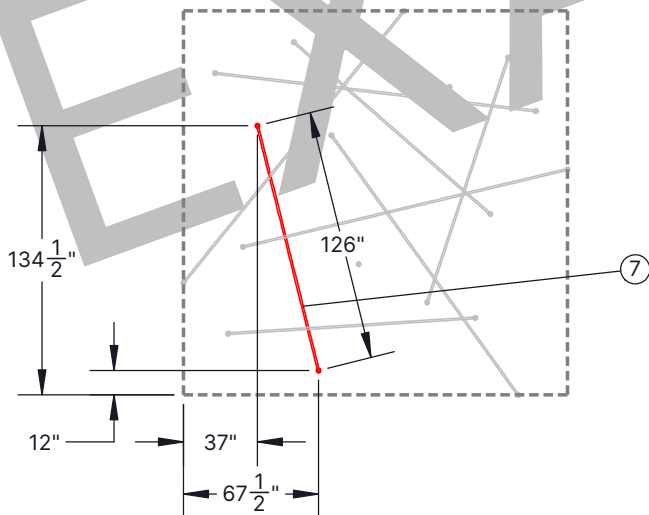
**Rope Length:** 255 in (Rope 5)  
**Power Requirement:** 66 W @ 24VDC  
*Power required on one end only.*



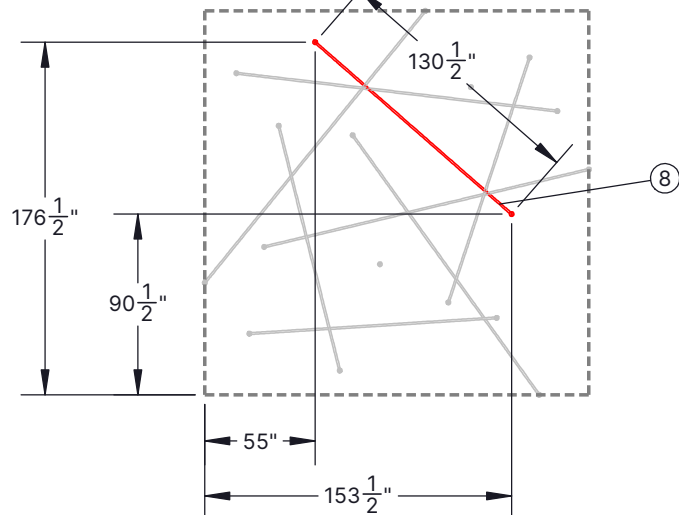
**Rope Length:** 225 in (Rope 6)  
**Power Requirement:** 58 W @ 24VDC  
*Power required on one end only.*



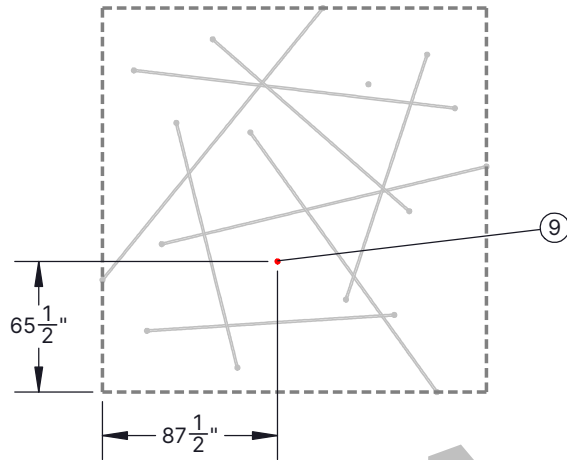
**Rope Length:** 214 in (Rope 7)  
**Power Requirement:** 55 W @ 24VDC  
*Power required on one end only.*



**Rope Length:** 242 in (Rope 8)  
**Power Requirement:** 63 W @ 24VDC  
*Power required on one end only.*



**Rope Length:** 178 in (Rope 9)  
**Power Requirement:** 46 W @ 24VDC  
*Power required at mounting location.*



**Rope Length:** 160 in (Rope 10)  
**Power Requirement:** 41 W @ 24VDC  
*Power required at mounting location.*

